

MODEL NO. : LCD-257

SPECIFICATION

DISPLAY SCREEN	SCREEN SIZE	2.5 INCH (Digital)
	ACTIVE AREA	50.40(W) x 37.80(H)
	ELEMENT	COLOR TFT LCD
	RESOLUTION	960(W) x 240(H)
	DOT PITCH	0.0525(W) x 0.1575(H)

VIDEO SYSTEM

NTSC or PAL System

NTSC f_H : 15.75 KHz
 f_V : 60 Hz
 f_C : 3.58 MHz

PAL f_H : 15.625 KHz
 f_V : 50 Hz
 f_C : 4.43 MHz

POWER SOURCE

DC 12V or 5V

POWER CONSUMPTION

120 mA in 12V, 1.44W Max.

230mA in 5V , 1.15W Max.

OPERATING TEMPERATURE

0 ~ 60

STORAGE TEMPERATURE

-25 ~ 80

LCD SCREEN

60.73(W) x 45.07(H) x 2.54(D) (mm)

DRIVER BOARD

60.73(W) x 45.08 (H) X 8.00 (D) (mm)

BRIGHTNESS

230 Cd/m²

CONTRAST

300

VIEWING ANGLE

L/R : 50° TOP: 20° Down: 70°

WEIGHT

17g

FEATURES

1. VIDEO INPUTS
2. LEFT & RIGHT, UP/DOWN Reverse Image
3. Low Power Consumption.
4. 12V Drive for handhold, Battery operated item.

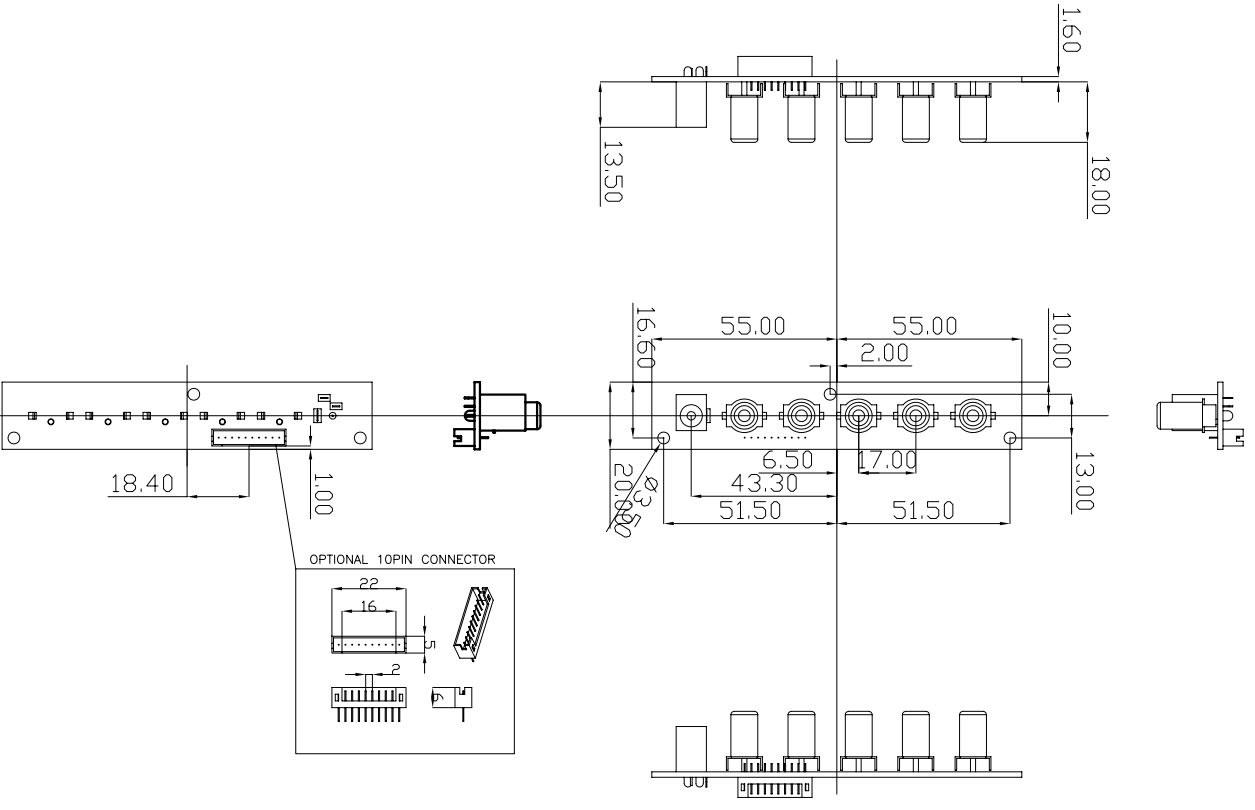
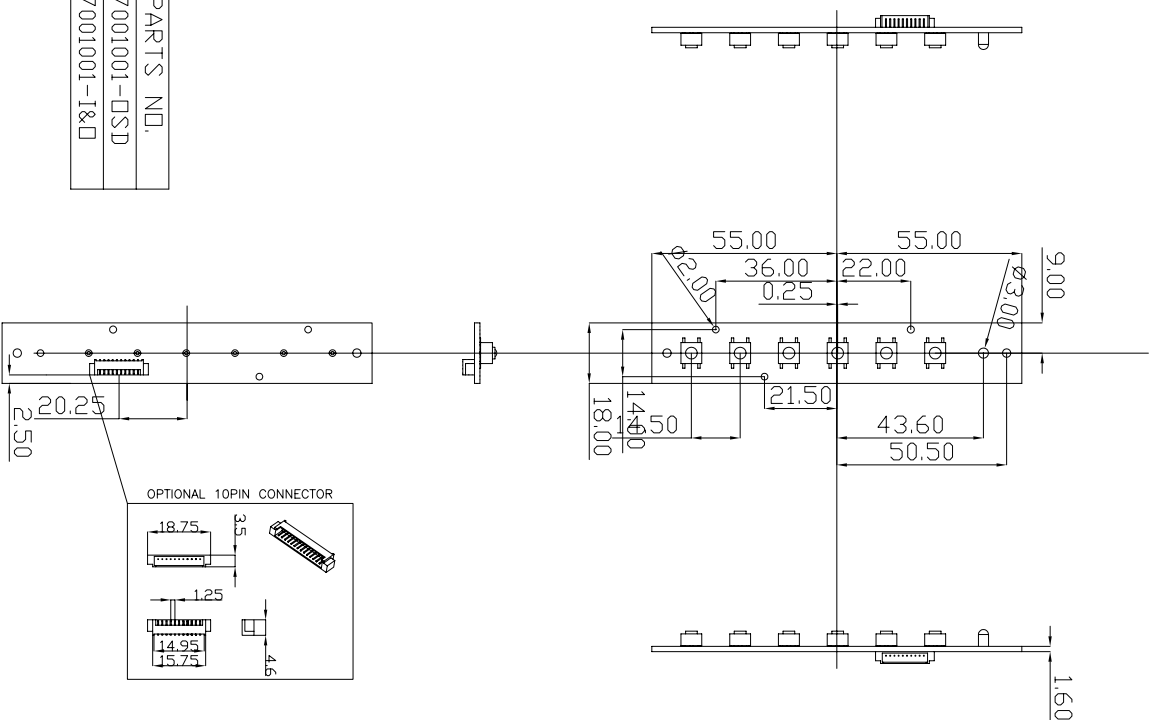
J2 : OSD KEY PIN ASSIGMENT (10 Pin)

PIN NO	SYMBOL	DESCRIPTION	REMARK
1	+5V	+5V VCC	
2			
3	MANU	SHOW MENU	
4	UP	VOLUM UP +	
5	POWER	12V POWER ON/OFF	
6	DOWN	VOLUME DOWN -	Optional
7	SELECT	VIDEO INPUT SELECT VI, VII	
8	LED	LED INDICATOR	
9	ROTATE	IMAGE ROTATE	
10	GROUND	GROUND	

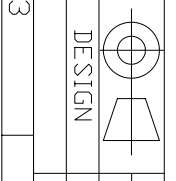
J3 : IN-OUT PUT PIN ASSIGNMENT (12pin)

PIN NO	SYMBOL	DESCRIPTION	REMARK
1	AUDIO OUT	Audio Out Put	Optional
2	AUDIO IN	Audio Input	Optional
3	AUDIOGND	Audio Ground	Optional
4	VIDEO OUT	Video Out Put	
5	V1	Video 1 Input	
6	V2	Video 2 Input	
7	VIDEO GND	Video Ground	
8	POWER GND	12V DC Ground	
9	+12V	12V DC	
10	+12V	12VDC	
11	SPEAKER +	Speaker +	Optional
12	SPEAKER -	Speaker -	Optional

REVISION			
1	2	3	4
ISSUE ZONE	DESCRIPTION	DATE	REVISER



VIEWTEK®
LEE MING INDUSTRIAL CO., LTD



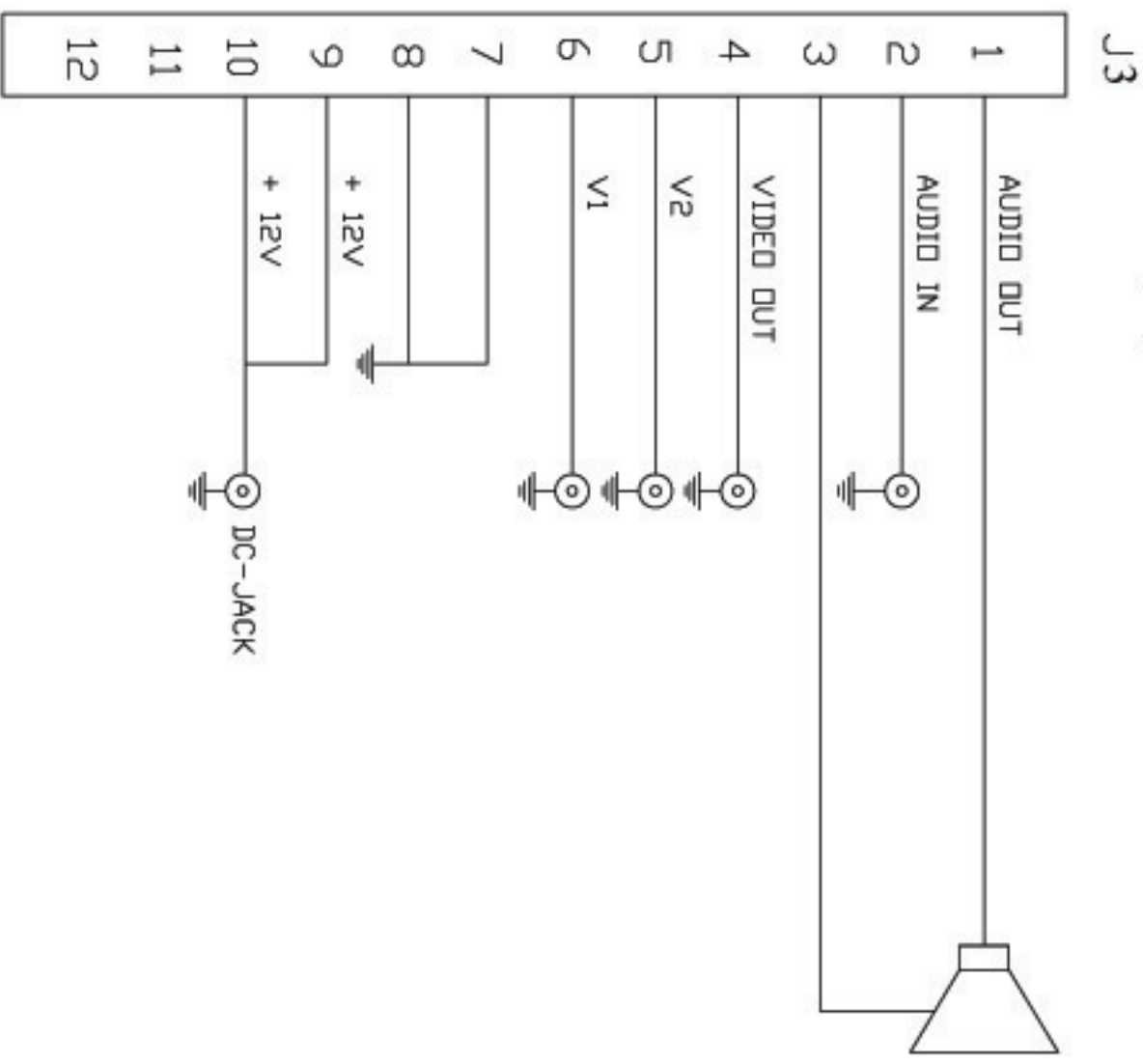
MODEL NO.	LCD-705W	PARTS NO.		DWG. DATE	2006/07/26	MATERIAL		PARTS NAME	KEY&AV-ID
DESIGN	CHECKED	APPROVED		REV. DATE		SCALE	FREE	REV	
								FILE NO.	DRAWING NO.

PARTS NO.	07001001-QSD
PARTS NO.	07001001-I&D

1 2 3 4 5 6 7 8

REVISION			
ISSUE ZONE	DESCRIPTION	DATE	REVISER

Application Circuit For I/O



VIEWTEK®
LEE MING INDUSTRIAL CO.,LTD



MODEL NO.	PARTS NO.	DWG. DATE	MATERIAL	UNIT	PARTS NAME
I.C.D. 257		2006/1/16		mm	PCB&Assembly
DESIGN CHECKED	APPROVED	REV. DATE	SCALE	REV	FILE NO. DRAWING NO.
			FREE		

