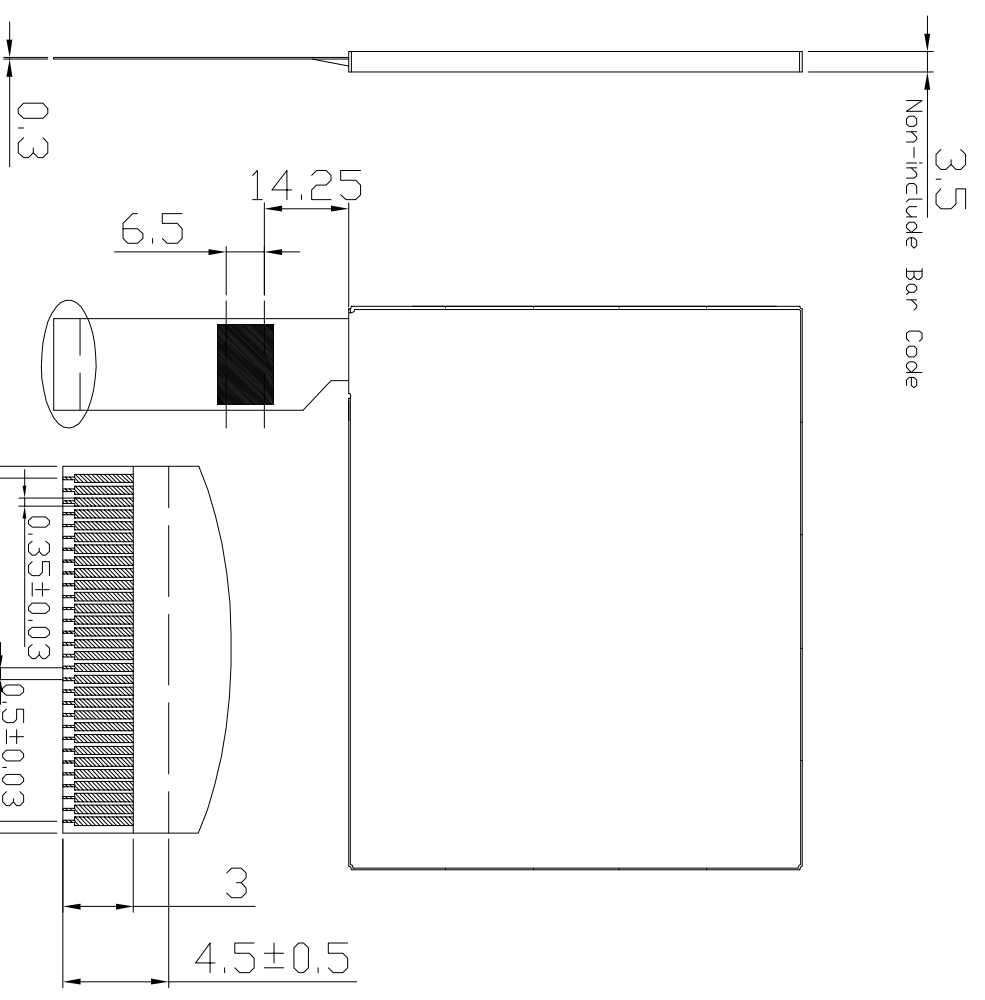
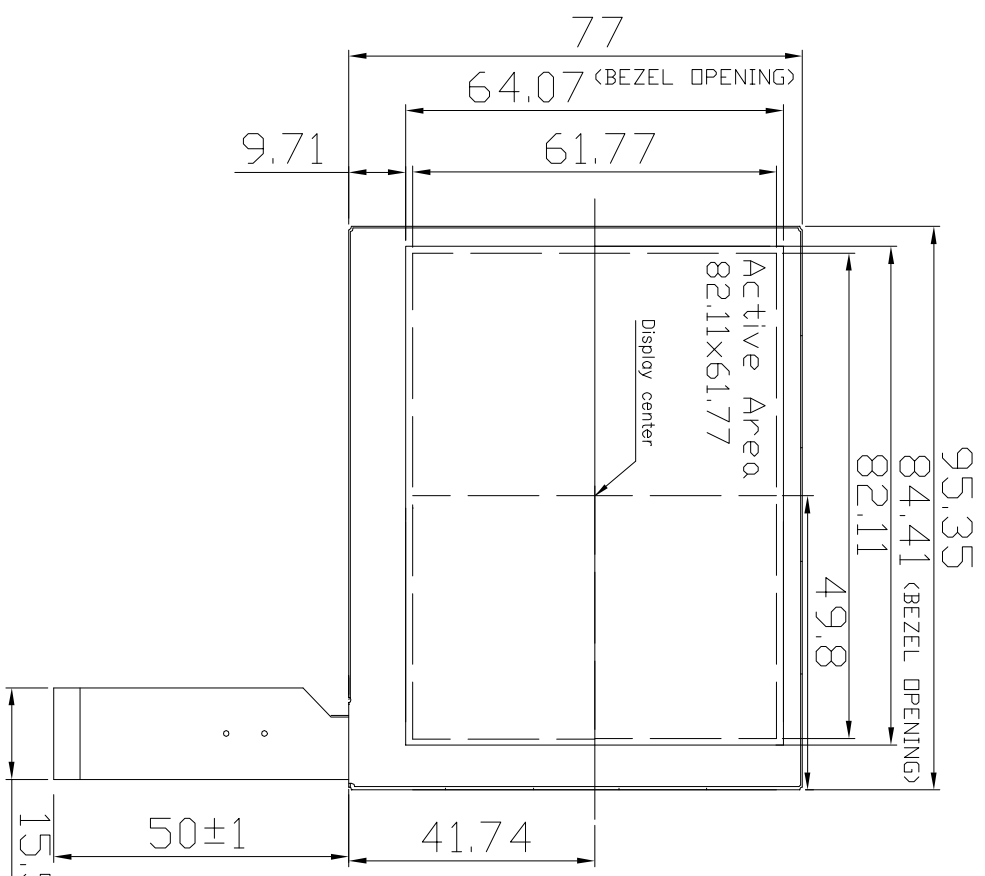


ISSUE ZONE	DESCRIPTION	DATE	REV/SER

LCD Screen

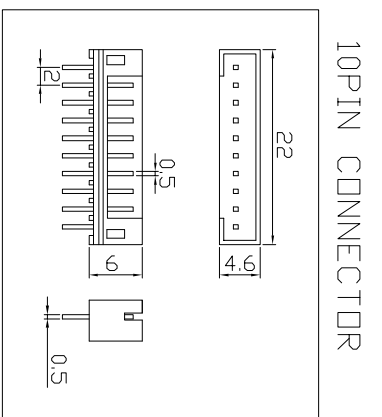
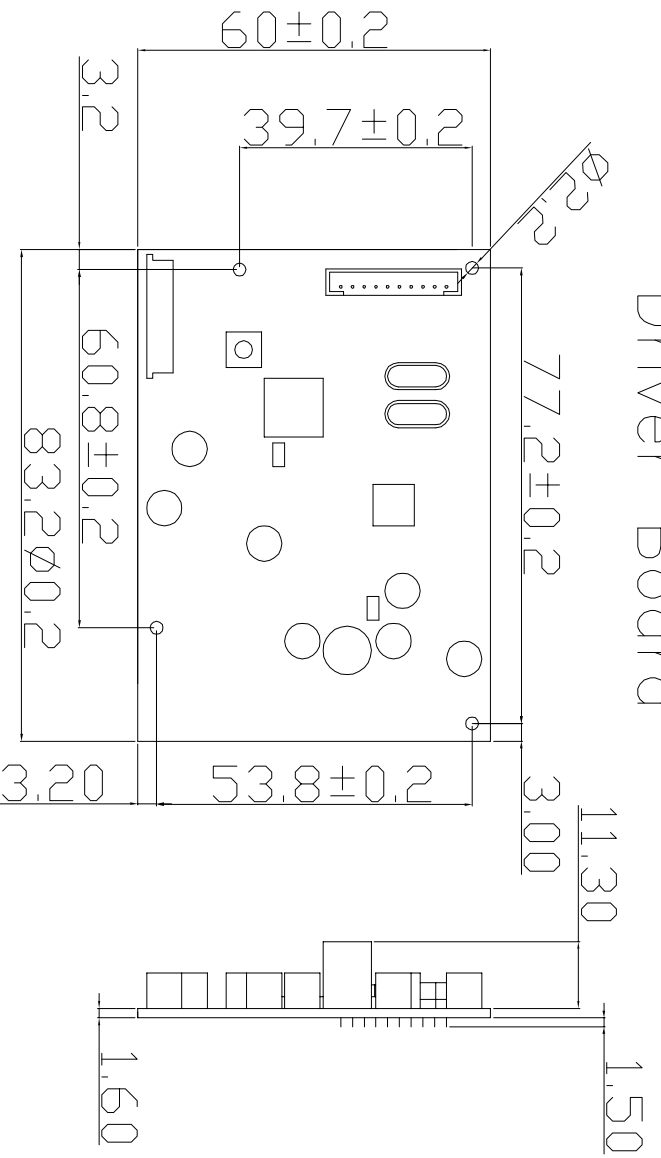


VIEWTEK®		MODEL NO.		PARTS NO.		DWG. DATE		MATERIAL		UNIT		PARTS NAME	
LEE MING INDUSTRIAL CO., LTD		LCD-421				2006/04/18				mm		4" PANEL	
		DESIGN		CHECKED		APPROVED		REV. DATE		SCALE		REV	
										FREE		FILE NO.	
												DRAWING NO.	

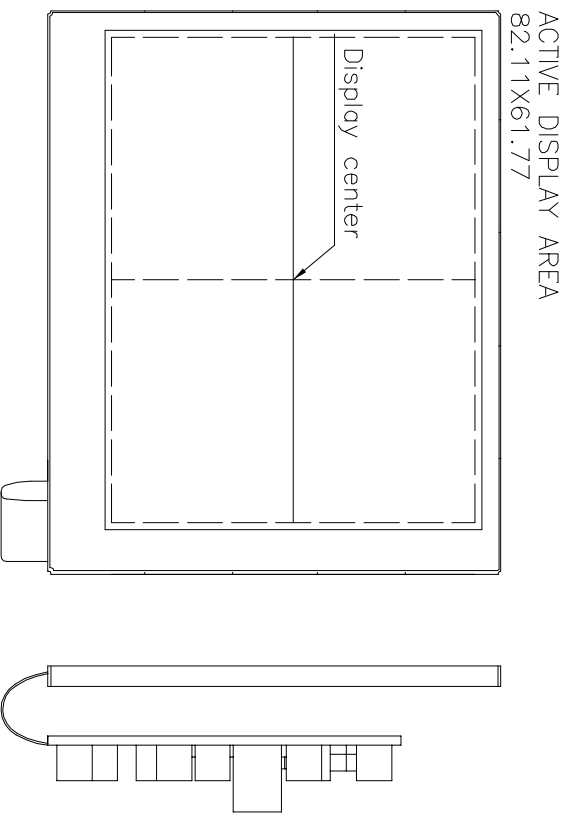
1	2	3	4	5	6	7	8
---	---	---	---	---	---	---	---

ISSUE ZONE	DESCRIPTION	DATE	REVISER

Driver Board



Pin	Symbol
1	Vin +12V
2	GND
3	Video-in
4	V/IN
5	+5V
6	Bright
7	Contrast
8	LRC
9	UDC
10	Color
11	
12	



Assembly

VIEWTEK®
LEE MING INDUSTRIAL CO.,LTD

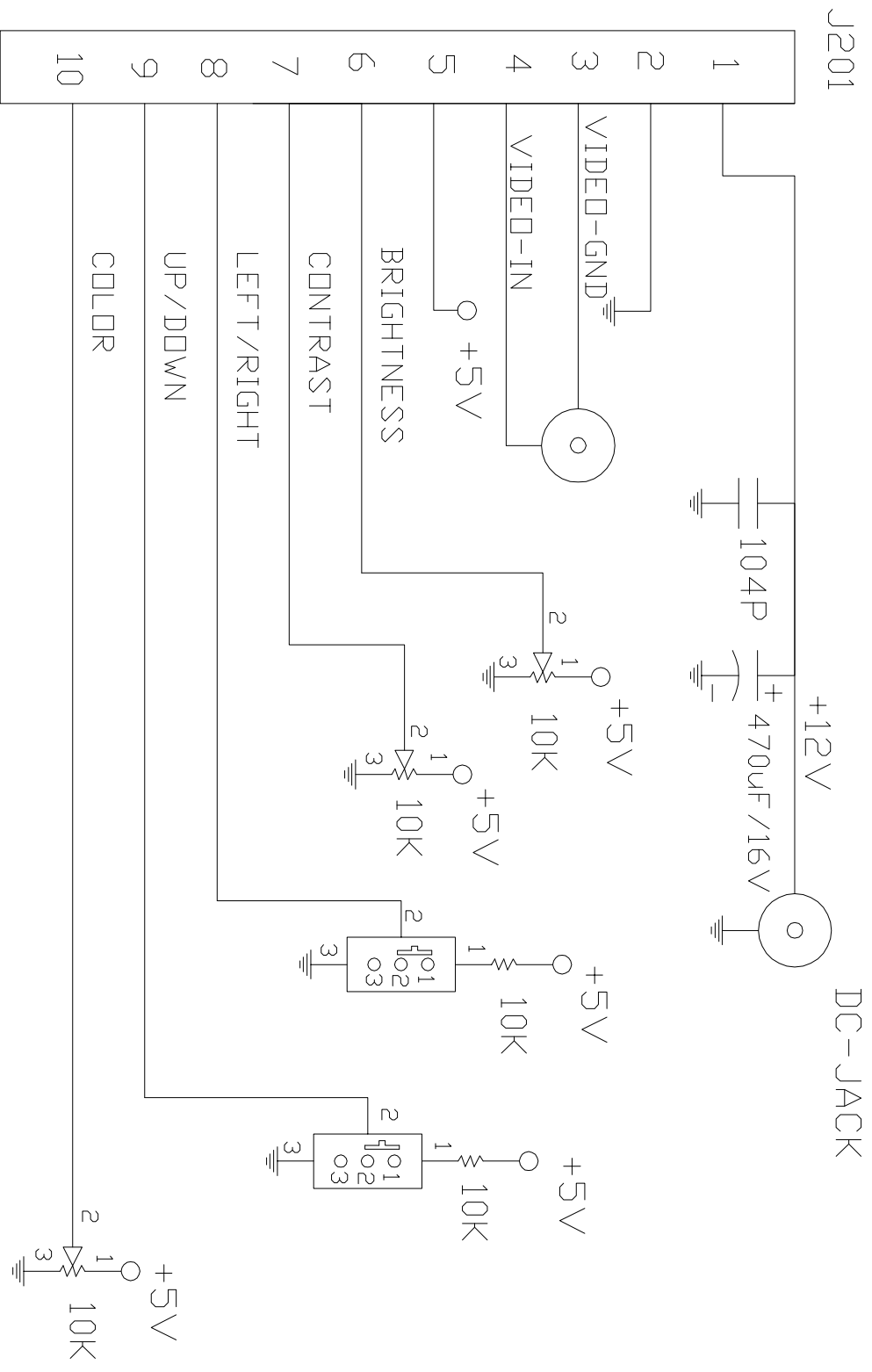


MODEL NO.	PARTS NO.	DWG. DATE	MATERIAL	UNIT	PARTS NAME
LCD-421		2006/07/18		mm	4" PANEL
CHECKED	APPROVED	REV. DATE	SCALE	REV	FILE NO.
			FREE		

1 2 3 4 5 6 7 8

ISSUE ZONE	DESCRIPTION	DATE	REVISER

Application Circuit



VIEWTEK®
LEE MING INDUSTRIAL CO.,LTD

DESIGN	MODEL NO.	PARTS NO.	DWG. DATE	MATERIAL	UNIT	PARTS NAME
	LCD-421		2006/07/18		mm	
CHECKED	APPROVED	REV. DATE	SCALE	REV	FILE NO.	DRAWING NO.
			FREE			