

MODEL NO. : LM-0855

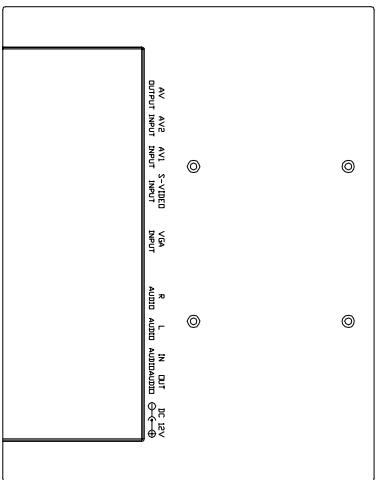
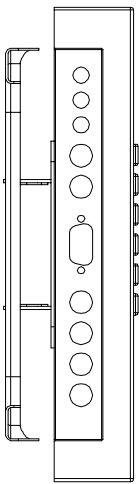
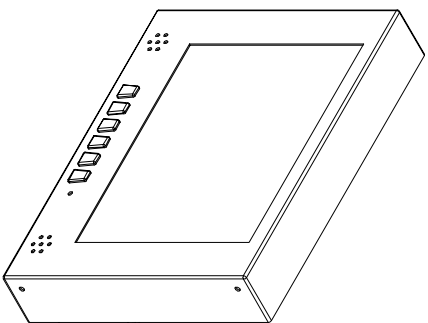
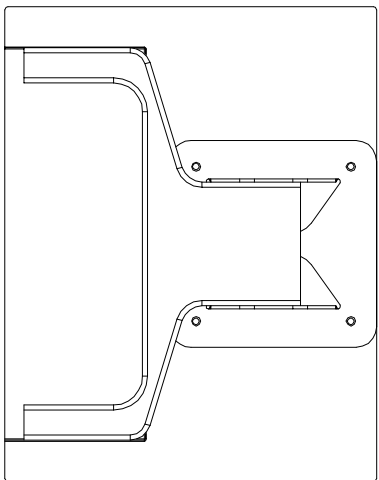
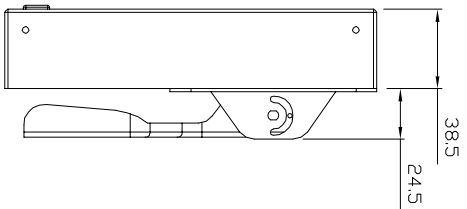
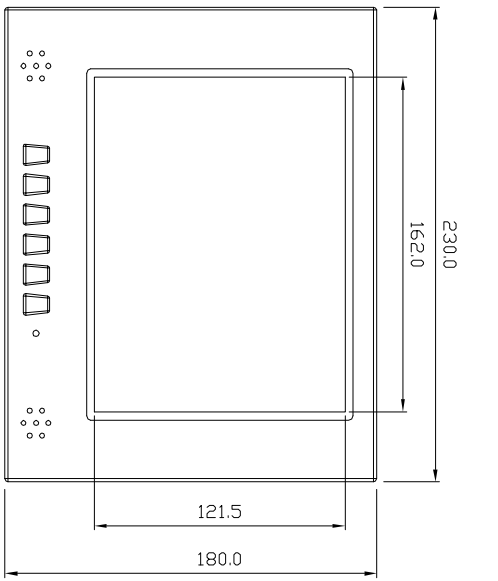
SPECIFICATION

| | |
|--------------------------------|---|
| DISPLAY SCREEN | LCD SIZE 8" INCH (DIGITAL) ACTIVE AREA 162(W) X 121.5(D) mm ELEMENT COLOR TFT LCD RESOLUTION 800 X3(RGB)X 600 DOT PITCH 0.0675(W) X 0.2025(H) |
| VIDEO SYSTEM | NTSC & PAL Dual System |
| BACKLIGHT POWER CONSUMPTION | 1.782W |
| POWER SOURCE | DC 12V/24V |
| POWER CONSUMPTION | 390mA , 4.7W / 200mA , 4.8W |
| OPERATING TEMPERATURE | -30 ~ 85 |
| STORAGE TEMPERATURE | -40 ~ 95 |
| OPERATE TEMPERATURE & HUMIDITY | +60 , 90% |
| BRIGHTNESS | 350 cd/m ² |
| CONTRAST | 500:1 |
| RESPONSE TIME | 10 msec (Tr) |
| VIEWING ANGEL | L/R: 70°/70°, TOP: 50°, Bottom: 70° |
| PC INPUT | RGB Analogue Input 15 Pin D-sub x 1 |
| VIDEO INPUT | 1 VP-P 75Ω , RCA x 2 , S-Video x 1 |
| OSD CONTROL FUNCTION | Volume , Brightness , Contrast, Sharpness , Color, Hue |
| LCD SCREEN | 162.0 x 121.5 x 6.3 mm |
| OVERALL DIMENSION | 230.00(W) x 180.00 (H) X 38.50 (D) (mm) |
| WEIGHT | 3 kgs |

FEATURES

1. 8" LCD Screens
2. 2 VIDEO BNC INPUTS
3. 1 VIDEO BNC OUTPUTS
4. Low Power Consumption.

| REVISION | | | |
|------------|-------------|------|---------|
| 1 | 2 | 3 | 4 |
| ISSUE ZONE | DESCRIPTION | DATE | REVISER |
| | | | |



| | | | | | | | | |
|------------------------------|---|-----------|-----------|------------|----------|------|------------|-------------|
| VIEWTEK® | | MODEL NO. | PARTS NO. | DWG. DATE | MATERIAL | UNIT | PARTS NAME | |
| LEE MING INDUSTRIAL CO., LTD | | LM-0855 | | 2008/06/12 | | mm | 8"LCD | |
| | | CHECKED | APPROVED | REV. DATE | SCALE | REV | FILE NO. | DRAWING NO. |
| 1 | 2 | 3 | 4 | 5 | 6 | 7 | 8 | |

RECORD OF REVISION

| Version | Page | Old Description | New Description | Remark |
|---------|------|-----------------|-----------------|--------|
| | | | | |
| | | | | |
| | | | | |
| | | | | |