

MODEL NO. : LRM-1010

□ SPECIFICATION □

◆ DISPLAY SCREEN

SIZE	10.4 INCH
Active Area	211.2(W)x 158.34mm (H)
ELEMENT	COLOR TFT LCD
RESOLUTION	800 x 600 SVGA
DOT PITCH	0.264 (W) x 0.264 (H)mm

◆ POWER SOURCE	DC 12V
◆ POWER CONSUMPTION	10W Typ.
◆ OPERATING TEMPERATURE	0°C ~ 50°C
◆ STORAGE TEMPERATURE	-20°C ~ 60°C
◆ BRIGHTNESS	230 CD/m ²
◆ CONTRAST	500 : 1
◆ OPTICAL RISE TIME / FALL TIME	10/25 Typ.
◆ RESPONSE TIME	10 ms
◆ VIEWING ANGLE	Vertical +35° /-65° , Horizontal : ±60°
◆ PC INPUT	RGB Analogue Input 15 Pin D-sub x 1
◆ VIDEO INPUT	1Vpp 75Ω RCA x 1 , S-Video x 1
◆ PLUG & PLAY	VESA DDC2B
◆ GREEN FUNCTION	VESA DPMS
◆ OSD CONTROL FUNCTION	Brightness, Contrast, Color, Volume, Mute
◆ DIMENSION (W x H x D)	490.0 x 221.0 x 40.0 mm
◆ WEIGHT	2000 ± 10 g

Features :

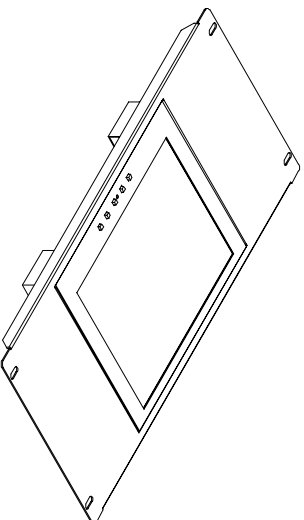
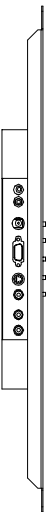
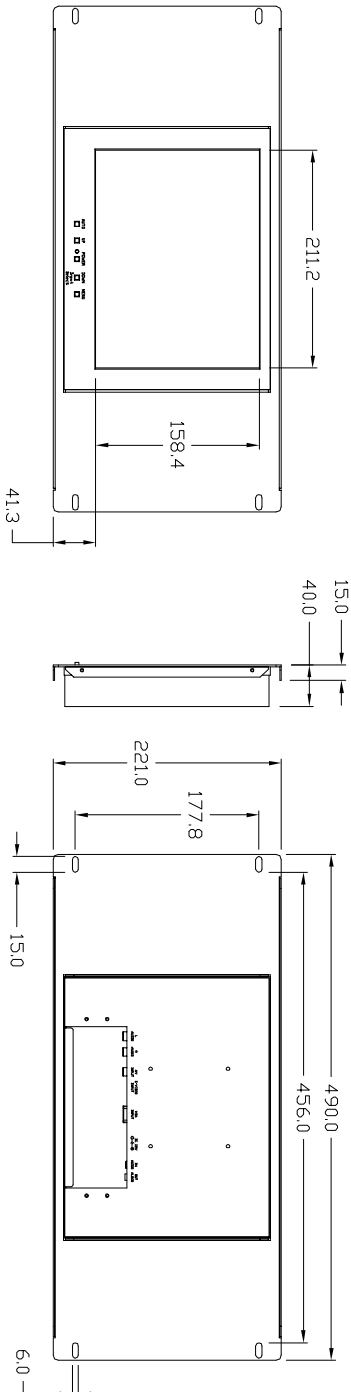
1. 1 VIDEO INPUT
2. 1 S-VIDEO INPUT
3. 1 VGA INPUT
4. 2 Audio INPUTS, 1 Audio OUTPUT
5. Low Power Consumption.

Lee Ming Industrial Co., Ltd.

info@l-c-d.com

Specification subject to change without notice, File-server/spec/2008/LRM-1010, 20080731

REVISION			
ISSUE ZONE	DESCRIPTION	DATE	REVISER



VIEW/TEK [®]		MODEL NO.	PARTS NO.	DWG. DATE	MATERIAL	UNIT	PARTS NAME
LEE MING INDUSTRIAL CO., LTD		LRM-1010		2008/07/30		mm	10.4" LCD
DESIGN		CHECKED	APPROVED	REV. DATE	SCALE	REV	FILE NO. DRAWING NO.
1	2	3	4	5	6	7	8

VGA SUPPORT MODE

Resolution	Horiz. Freq.(KHz)	Vert. Freq.(Hz)	Polarity
640X350	31.46	70	+/-
	37.86	85	+/-
720X350	31.46	70	+/-
	37.86	85	+/-
640X400	31.46	70	-/+
	37.93	85	-/+
	24.82	56	-/+
720X400	31.46	70	-/+
	37.86	85	-/+
640X480	31.46	59.9	-/-
	35.00	66.6	+/-
	37.86	72.8	-/-
	37.50	75.0	-/-
	43.27	85.0	-/-
800X600	35.15	56.2	+/+
	37.87	60.3	+/+
	48.07	72.2	+/+
	46.87	75.0	+/+
	44.40	70.0	+/+
	53.67	85.0	+/+
832X624	49.72	74.5	-/-
1024X768	48.36	60.0	-/-
	56.47	70.1	-/-
	58.08	72.9	
	60.02	75.0	+/+
	68.68	84.9	+/+
1152X864	54.90	60.0	
	64.19	70.2	+/+
	67.50	75.0	-/-
	76.30	80.0	
	77.09	84.9	
1280X1024	64.60	59.9	+/+
	63.98	60.0	-/-
	74.40	59.3	
	78.72	74.0	
	79.97	75.0	