

MODEL NO. : LRM- 1912

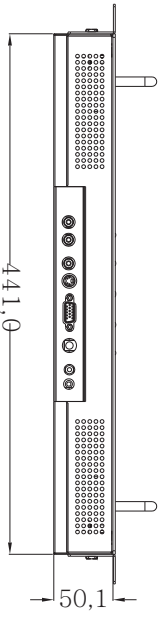
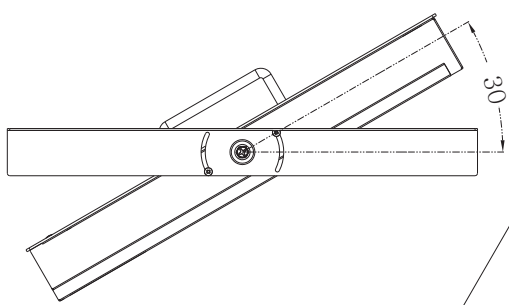
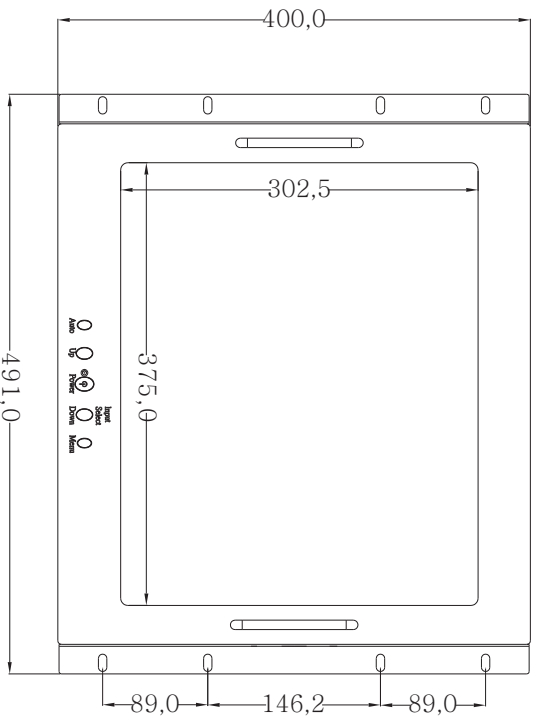
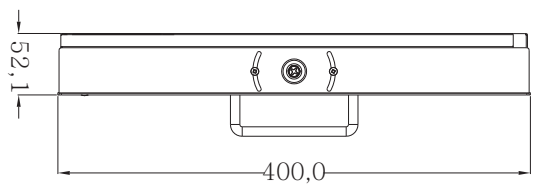
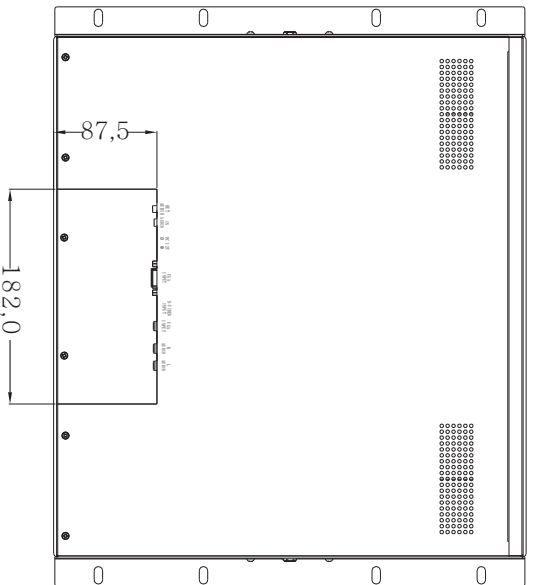
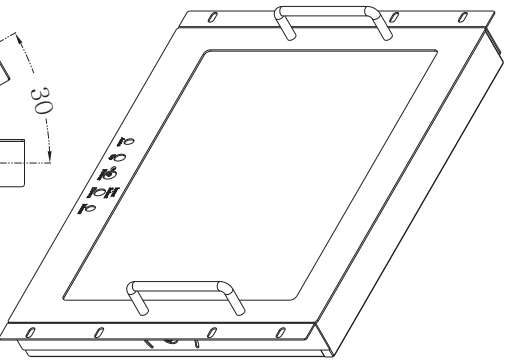
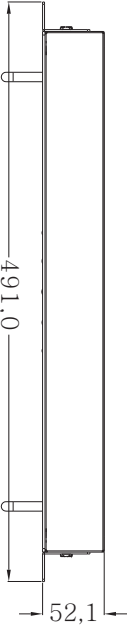
□ SPECIFICATION □

LCD Panel Type	19" TFT (Diagonal)
Displayable Resolution	1280 x 1024 maximum
LCD Display Color	16.7M colors
Viewing Angle	Horizontal: L/R85° Vertical : H/L 85°
Contrast Ratio	700 : 1
Brightness	250 cd/m2
Response Time	8ms
Control Function (Panel)	Auto, Up, Power, Down, Menu
Power Source :	AC/DC Adapter 12V DC.
Input Signal	Video Composite: NTSC/PAL 1 Vp-p. 75 ohms x1 S-Video socket x 1 PC RGB Analogue : 15 Pin D-Sub x1
Regulations	Safety: CE, FCC meet
Dimensions (LxWxD)	491.0 X 400.0 X 52.0 mm
Weight	11.5 Kgs
Temperature	Operation: 0°C ~ 50 °C Storage :- 20°C ~60 °C

FEATURES

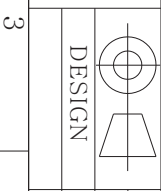
1. 19" LCD Screen
2. 2 Video RCA Inputs
3. 1 Audio RCA Output
4. Low Power Consumption
5. Can rotate side brackets to adjust the required Viewing angle

REVISION			
1	2	3	4
ISSUE ZONE	DESCRIPTION	DATE	REVISER



1 2 3 4 5 6 7 8

VIEWTEK[®]
LEE MING INDUSTRIAL CO., LTD



MODEL NO.	PARTS NO.	DWG. DATE	MATERIAL	UNIT	PARTS NAME
LRM-1912		2008/09/05		mm	LRM-1912
CHECKED	APPROVED	REV. DATE	SCALE	REV	DRAWING NO.

D C B A