

MODEL NO. : LRM-7521

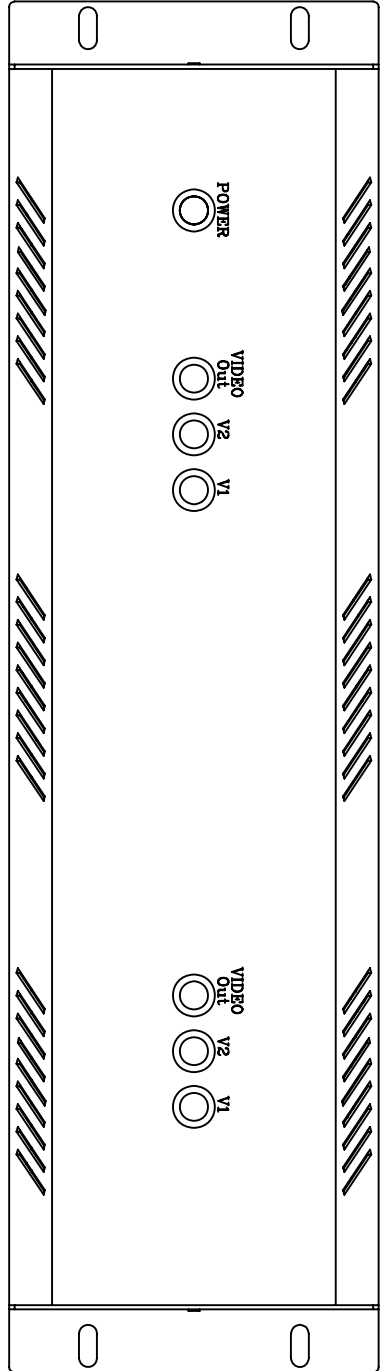
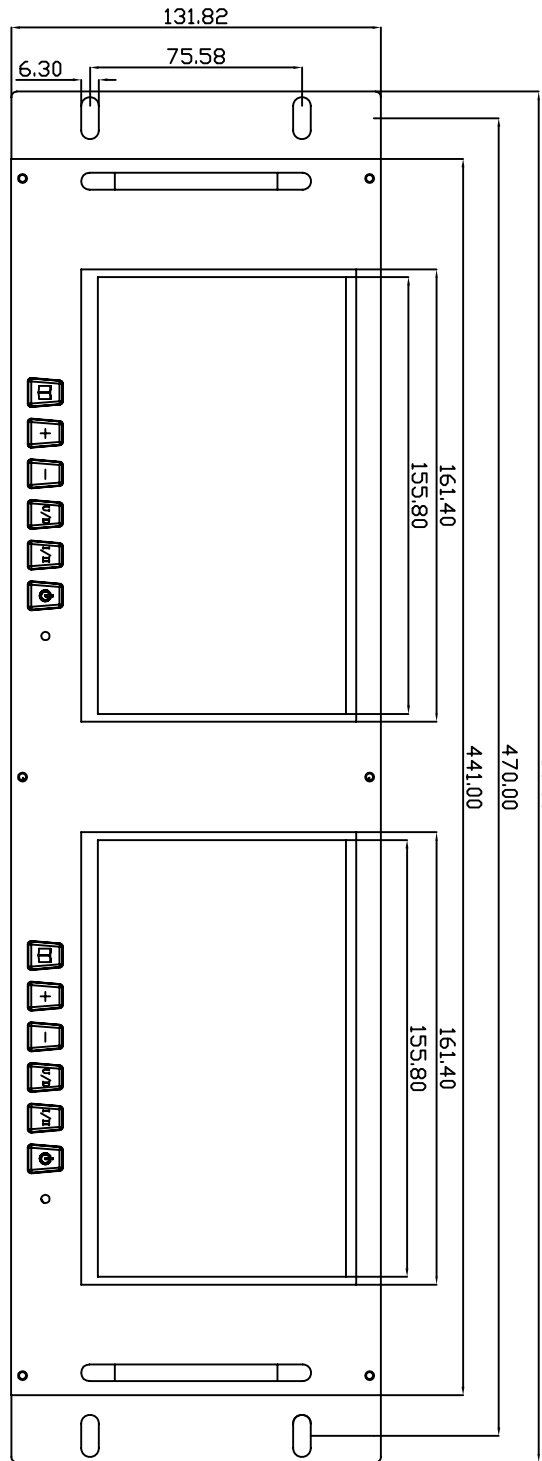
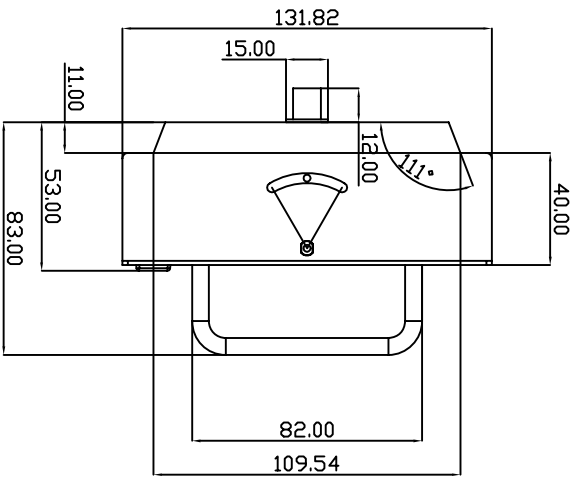
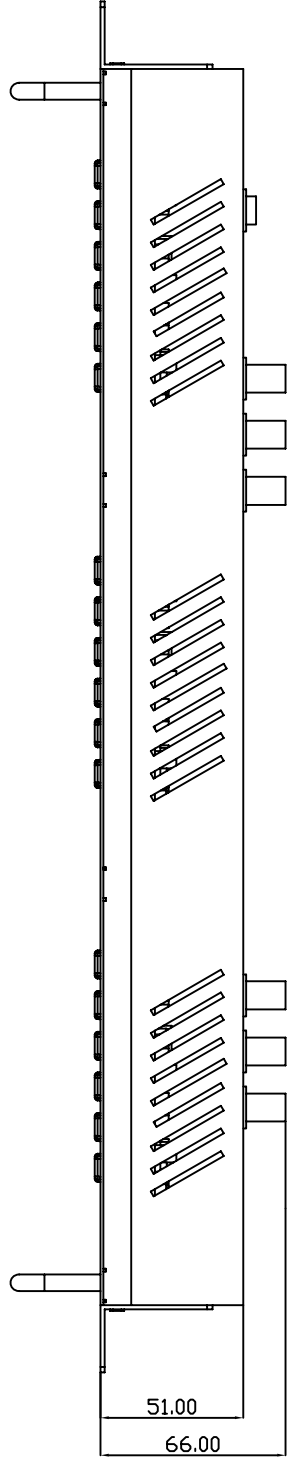
SPECIFICATION

| | | |
|-------------------------|--|---|
| ◆ DISPLAY SCREEN | LCD SCREEN SIZE | 7" INCH |
| | ACTIVE AREA | 154.08 x 86.58 mm |
| | ELEMENT | COLOR TFT LCD |
| | DOT PITCH | 0.107 x 0.370 (W x H) |
| | RESOLUTION | 1440(W)X234(H) |
| ◆ VIDEO SYSTEM | NTSC & PAL Dual System | |
| | NTSC | f_H : 15.75 KHz f_V : 60 Hz f_C : 3.58 MHz |
| | PAL | f_H : 15.625 KHz f_V : 50 Hz f_C : 4.43 MHz |
| ◆ POWER SOURCE | DC 12V | |
| ◆ VIEWING ANGEL : | Vertical+10 Deg / -30 Deg Horizontal 45±Deg | |
| ◆ BRIGHTNESS | 500 nit | |
| ◆ POWER COMSUMPTION | 7W Max. | |
| ◆ OPERATING TEMPERATURE | -40°C ~ 95°C | |
| ◆ STORAGE TEMPERATURE | -30°C ~ 85°C | |
| ◆ OPERATING HUMIDITY | 95% RH | |
| ◆ STORAGE HUMIDITY | 85% RH | |
| ◆ LCD SCREEN | 195.70(W) x 136.20(H) X 36 (D)mm | |
| ◆ OVER ALL DIMENSION | 489.00(W) x 131.82(H) X 66.00 (D)mm | |
| ◆ WEIGHT | 3.5 kg | |

FEATURES

1. 7" X 2 LCD Screens
2. 2 Video Inputs , 1 Video out
3. Left & Right, Up / Down Reverse Image
4. Low Power Consumption.
5. 12V DC Drive
6. OSD control: Brightness , Contrast ..

| 1 | 2 | 3 | 4 | 5 | 6 | 7 | 8 |
|------------|-------------|------|---------|---|---|---|---|
| REVISION | | | | | | | |
| ISSUE ZONE | DESCRIPTION | DATE | REVISER | | | | |



| | | | | | | | | | | | | | |
|------------------------------|---|-----------|---|-----------|---|------------|---|----------|--|------|--|----------------------|--|
| VIEWTEK® | | MODEL NO. | | PARTS NO. | | DWG. DATE | | MATERIAL | | UNIT | | PARTS NAME | |
| LEE MING INDUSTRIAL CO., LTD | | LRM-7521 | | | | 2006/10/04 | | FREE | | mm | | Line Drawing | |
| DESIGN | | CHECKED | | APPROVED | | REV. DATE | | SCALE | | REV | | FILE NO. DRAWING NO. | |
| 1 | 2 | 3 | 4 | 5 | 6 | 7 | 8 | | | | | | |